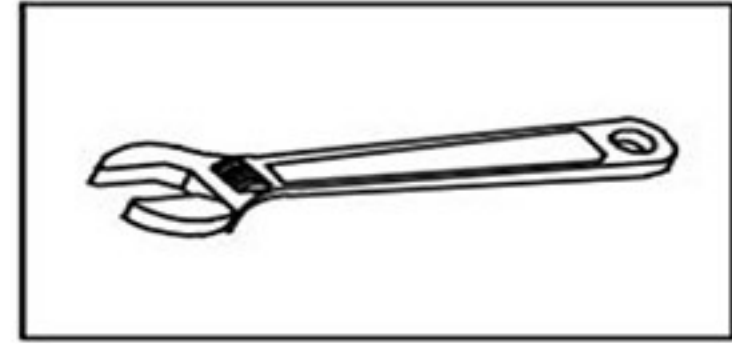
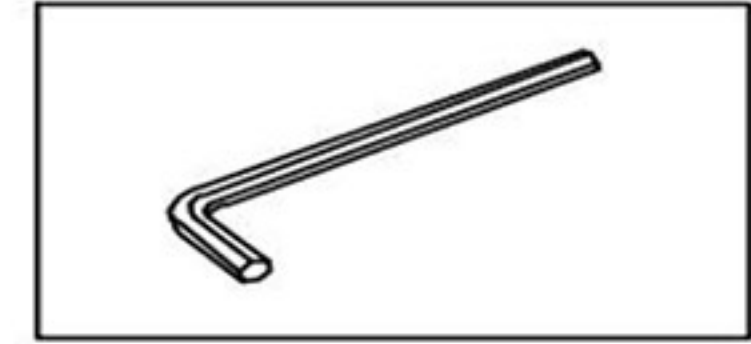


# Free-Standing Bathtub Faucet Installation

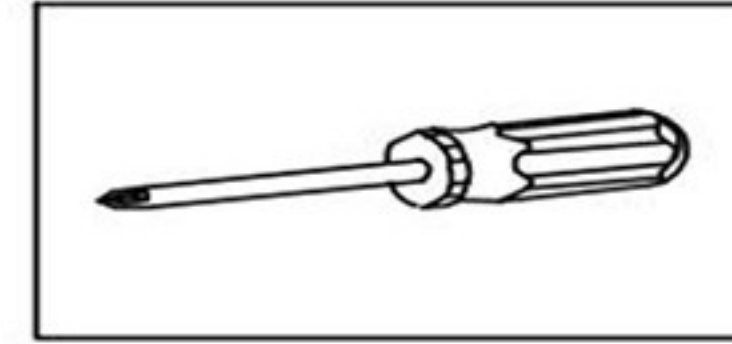
## INSTALLATION MANUAL Tools You Will Need:



Adjustable Wrench



Hexagon wrench



Philips Screwdriver

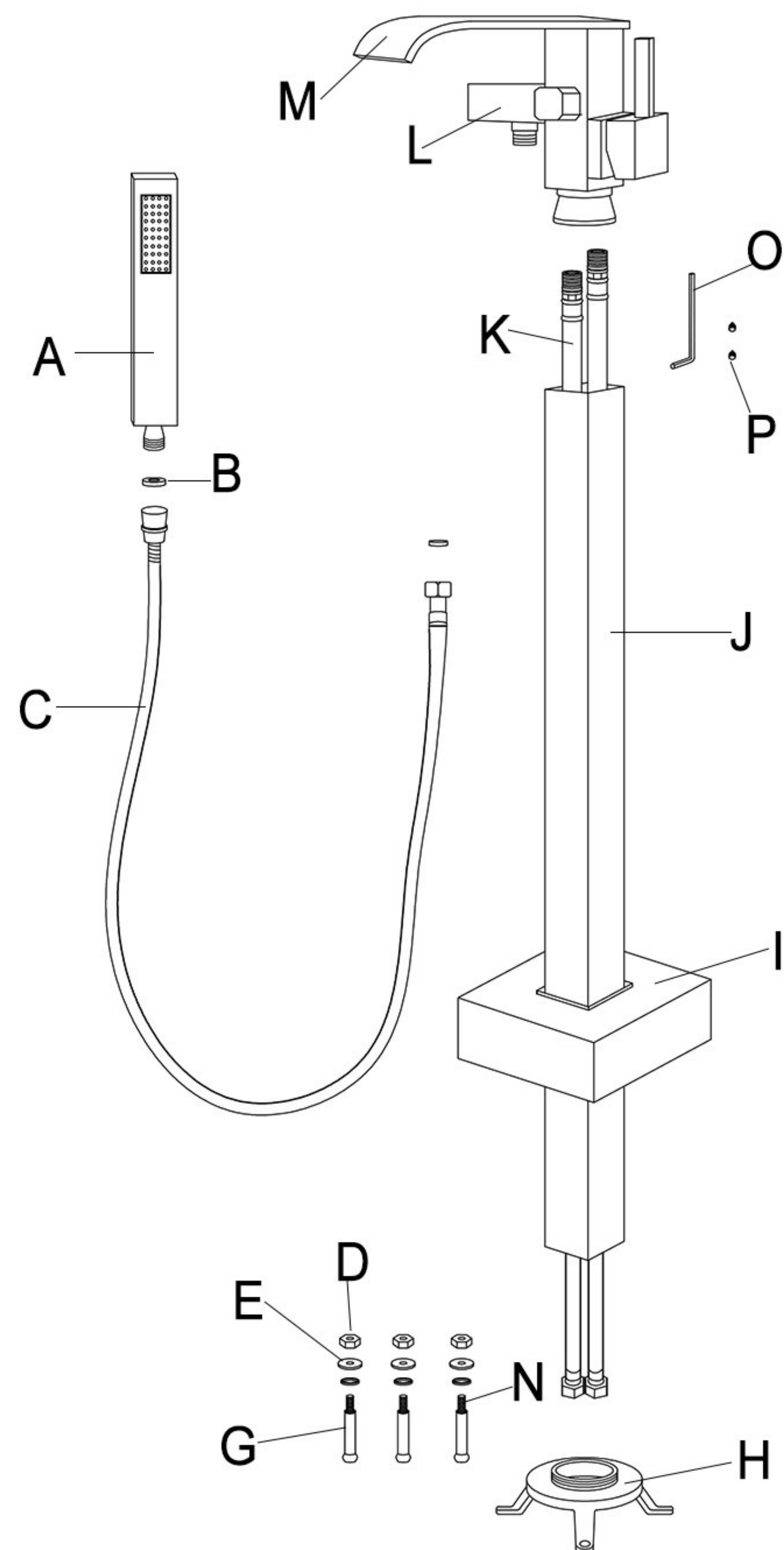
## Before the Installation

1. Check the package and confirm all parts are included. If any part is missing or damaged, please contact us.
2. Do not disassemble the main body, as it has been installed & commissioned correctly & precisely before leaving the factory.
3. Shut off the main water supply prior to beginning installation.
4. Do flush the water supply lines to remove any dirt and debris before installation (**IMPORTANT**).
5. Make sure to connect the hot/cold inlet pipe correctly. If standing in front, connect hot water pipe to the left and cold water pipe to the right.
6. After the installation, check for leaks and make sure every joint is safely sealed.

## Cleaning and Maintenance

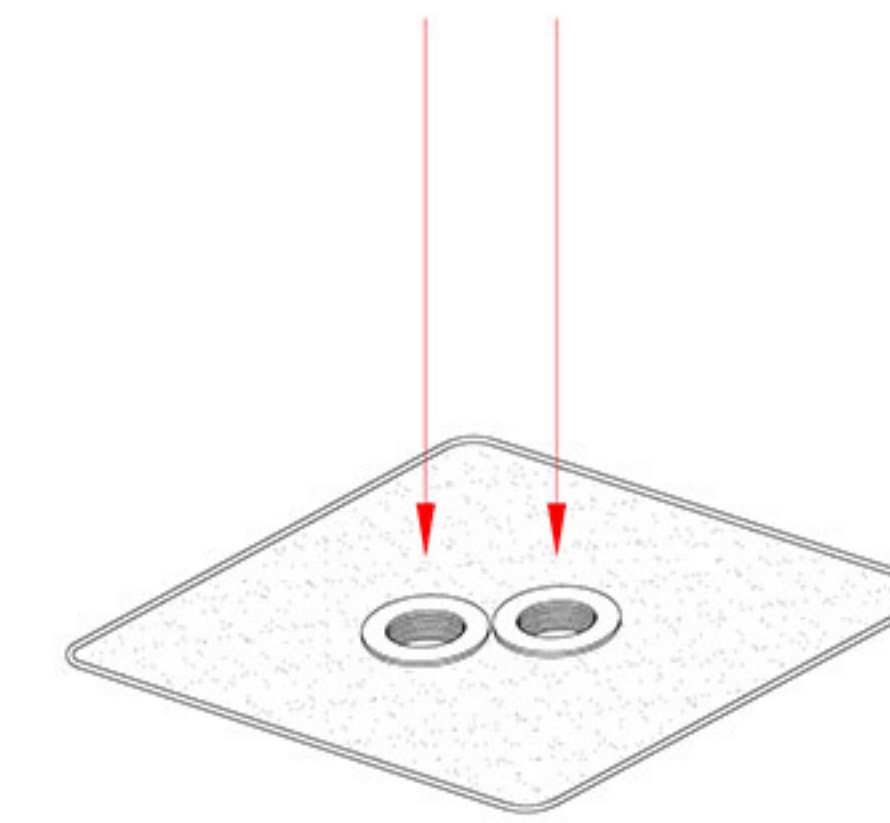
1. Rinse with clean water and dry with a soft cloth.
2. Do not use any detergent, acid, polisher, abrasives, or harsh cleaners.
3. Do not use cloth with a coarse surface.

## Parts List

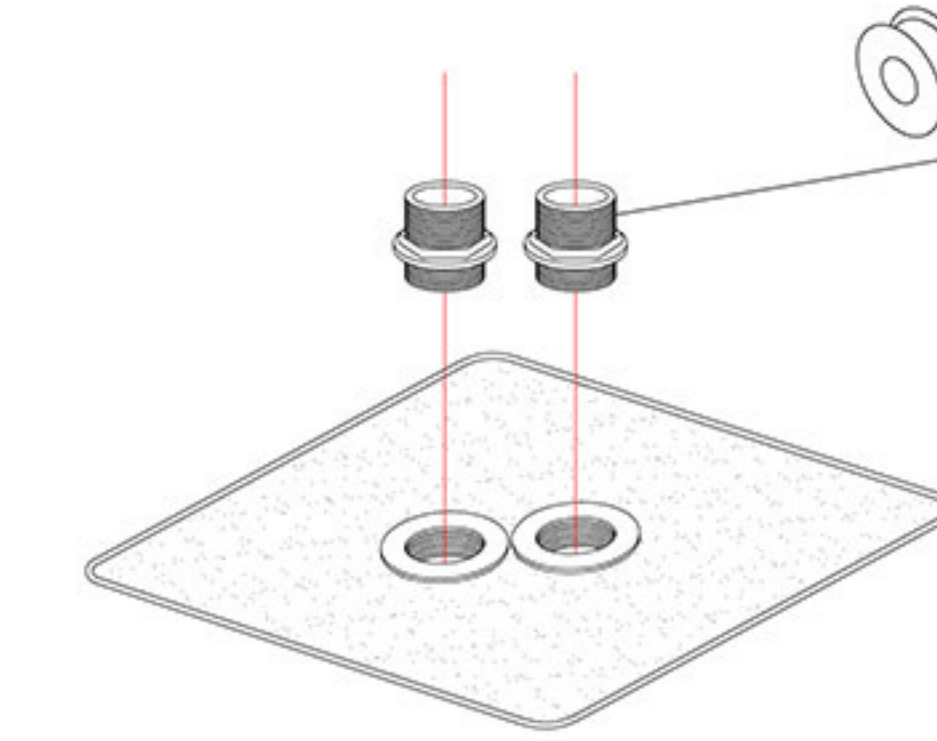


Part	Name	Quantity
A	hand shower	1
B	rubber washer	2
C	hose	1
D	screw nut	3
E	washer	6
G	expension bolt	3
H	flange	1
I	flange cover	1
J	stand pole	1
K	waterline	2
L	hand shower holder	1
M	faucet body	1
N	expansion screw	3
O	Allen key	1
P	set screw	1

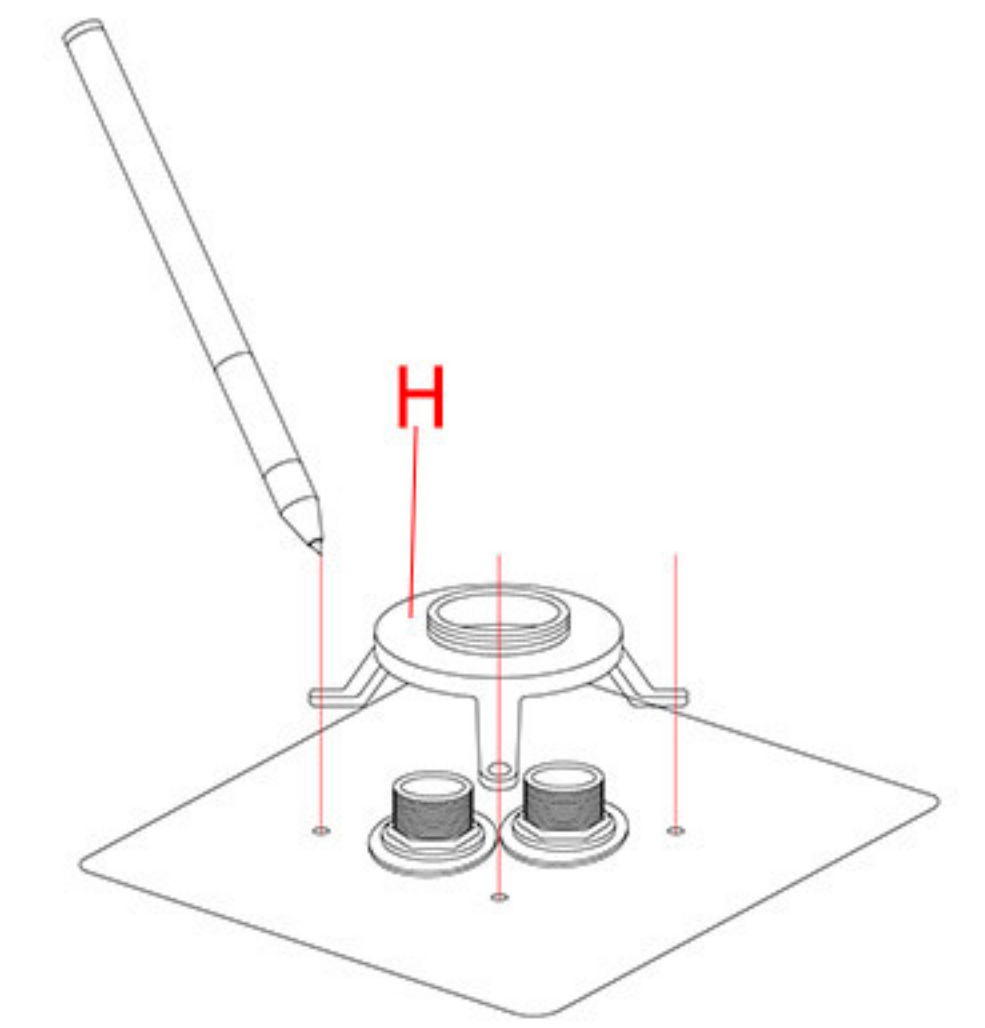
## Installation Guide



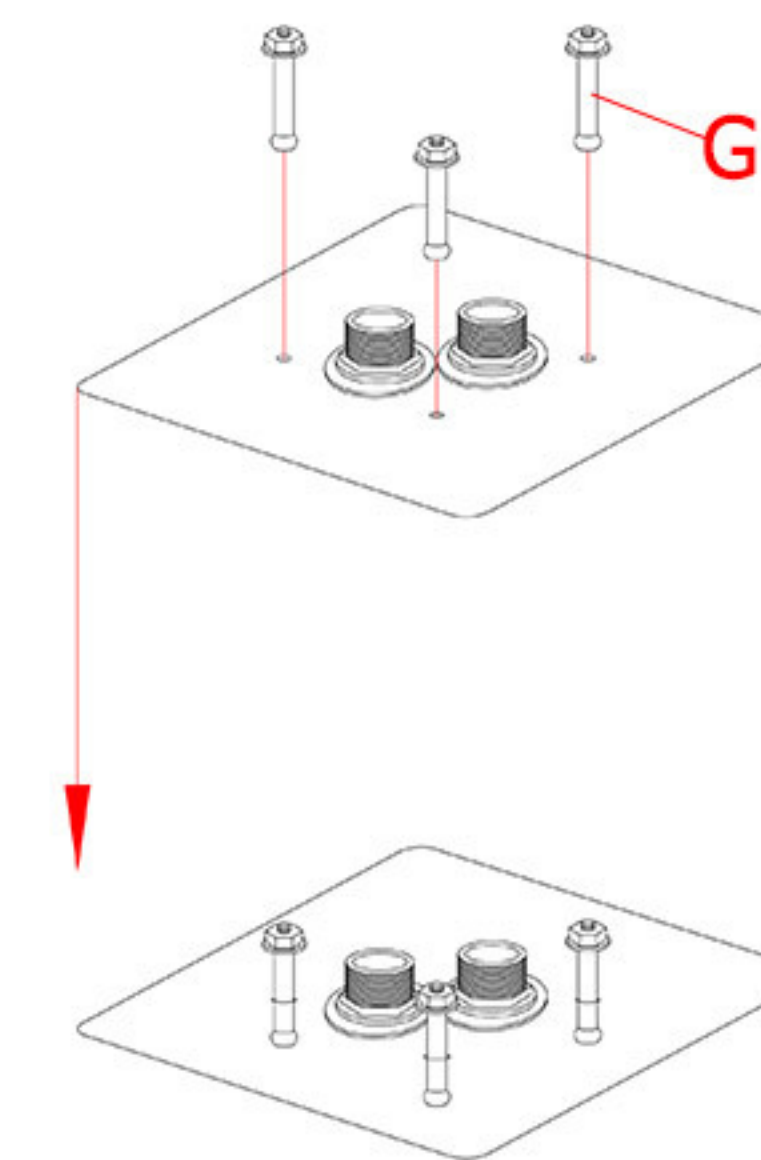
1. Embedded the water supply pipe fittings (not included).



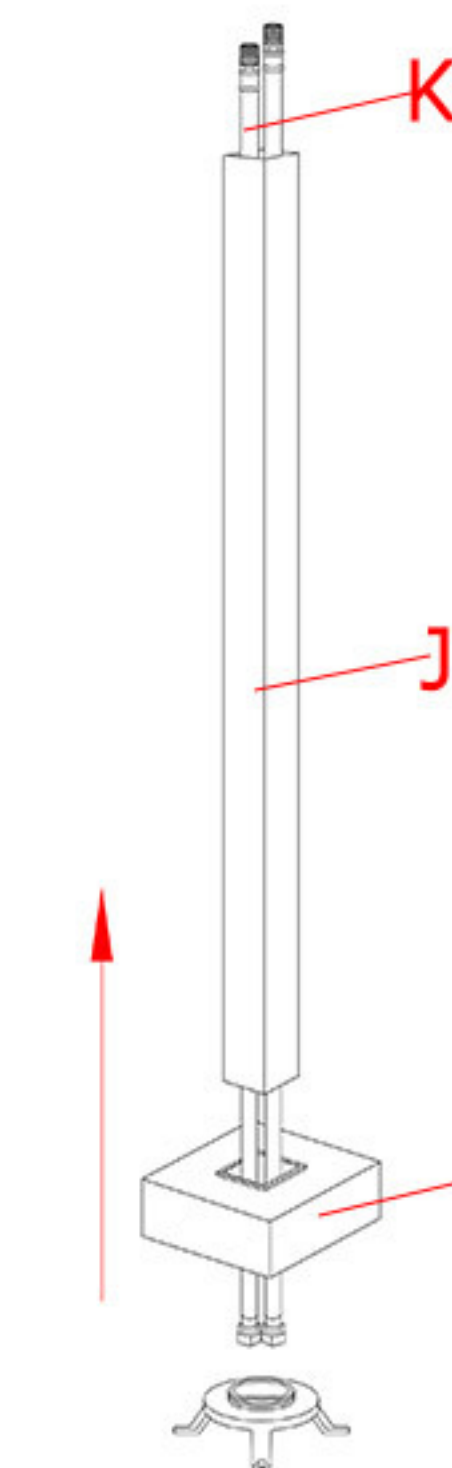
2. Apply the Teflon tape (not included) to the the lower threaded par of the screw and screw them into the fittings (not included).



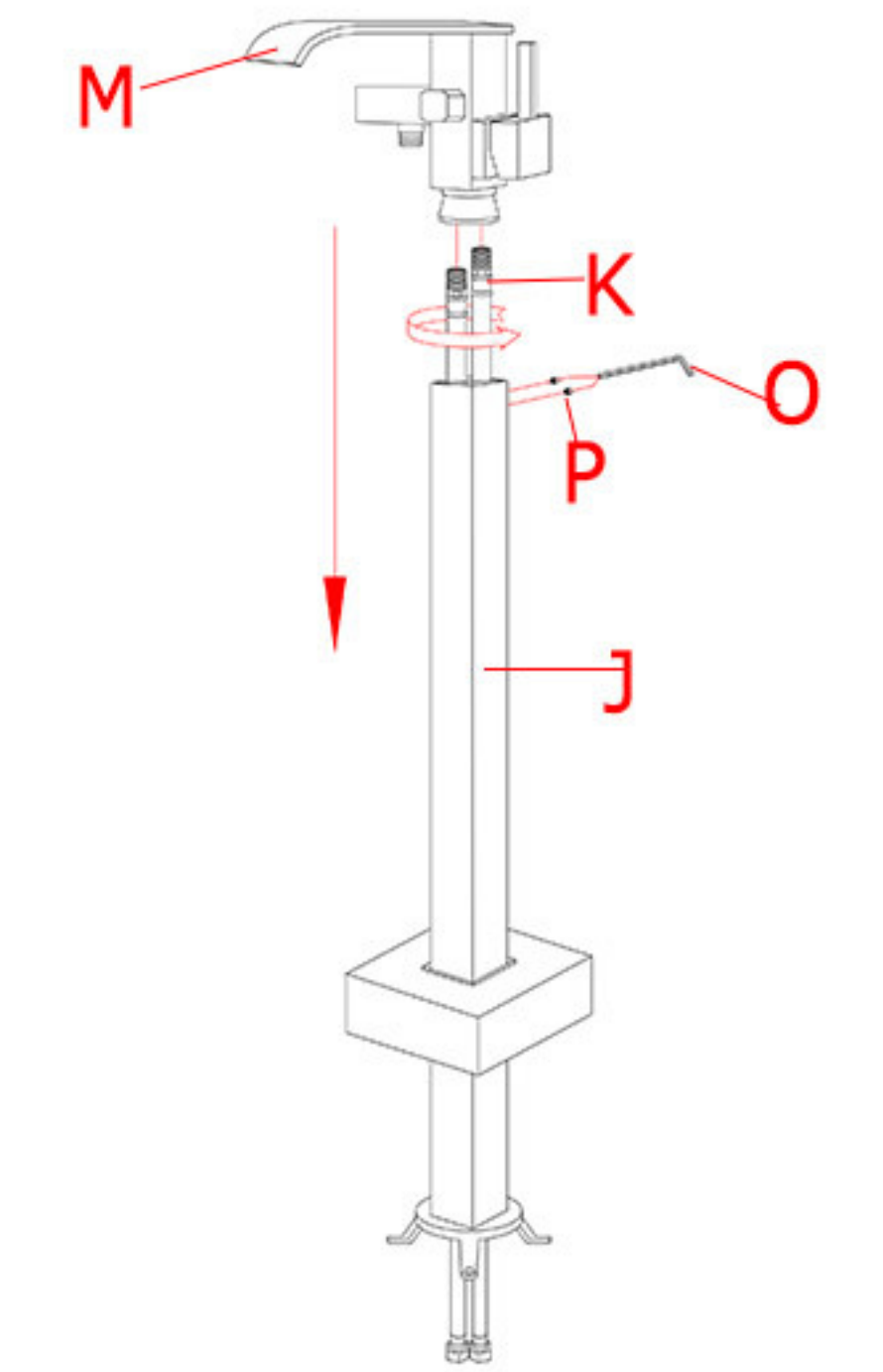
3. Use the flange (H) to mark holes to drill.



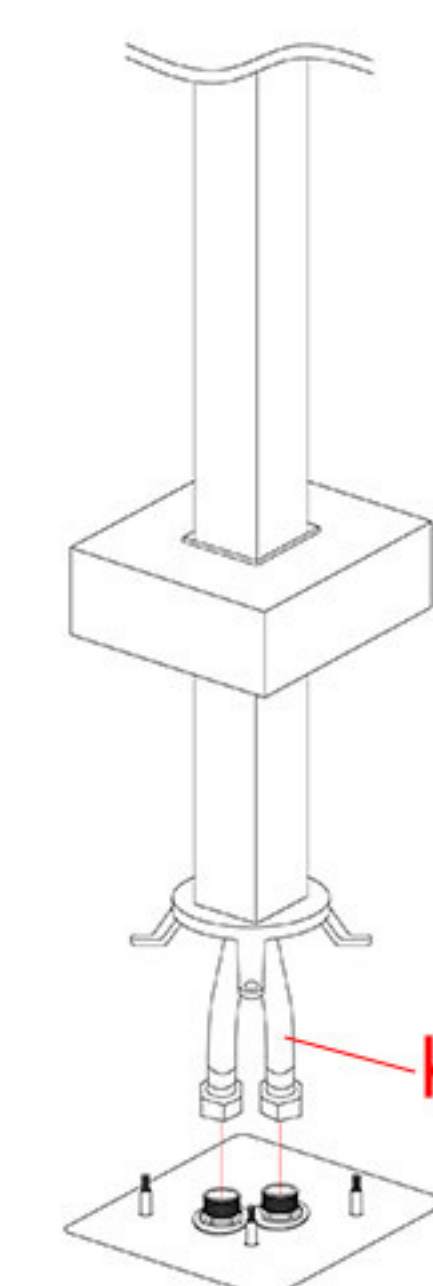
4. Suit the expansion bolts (G) into the holes.



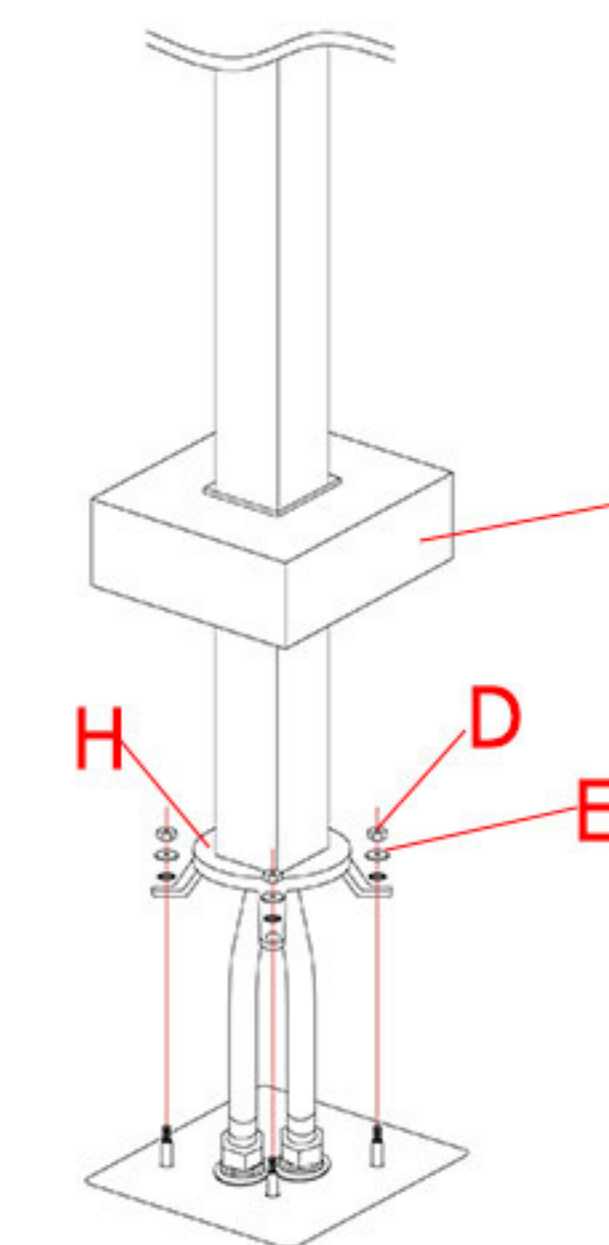
5. Feed the waterlines (K) through the stand pole (J), flange cover (I).



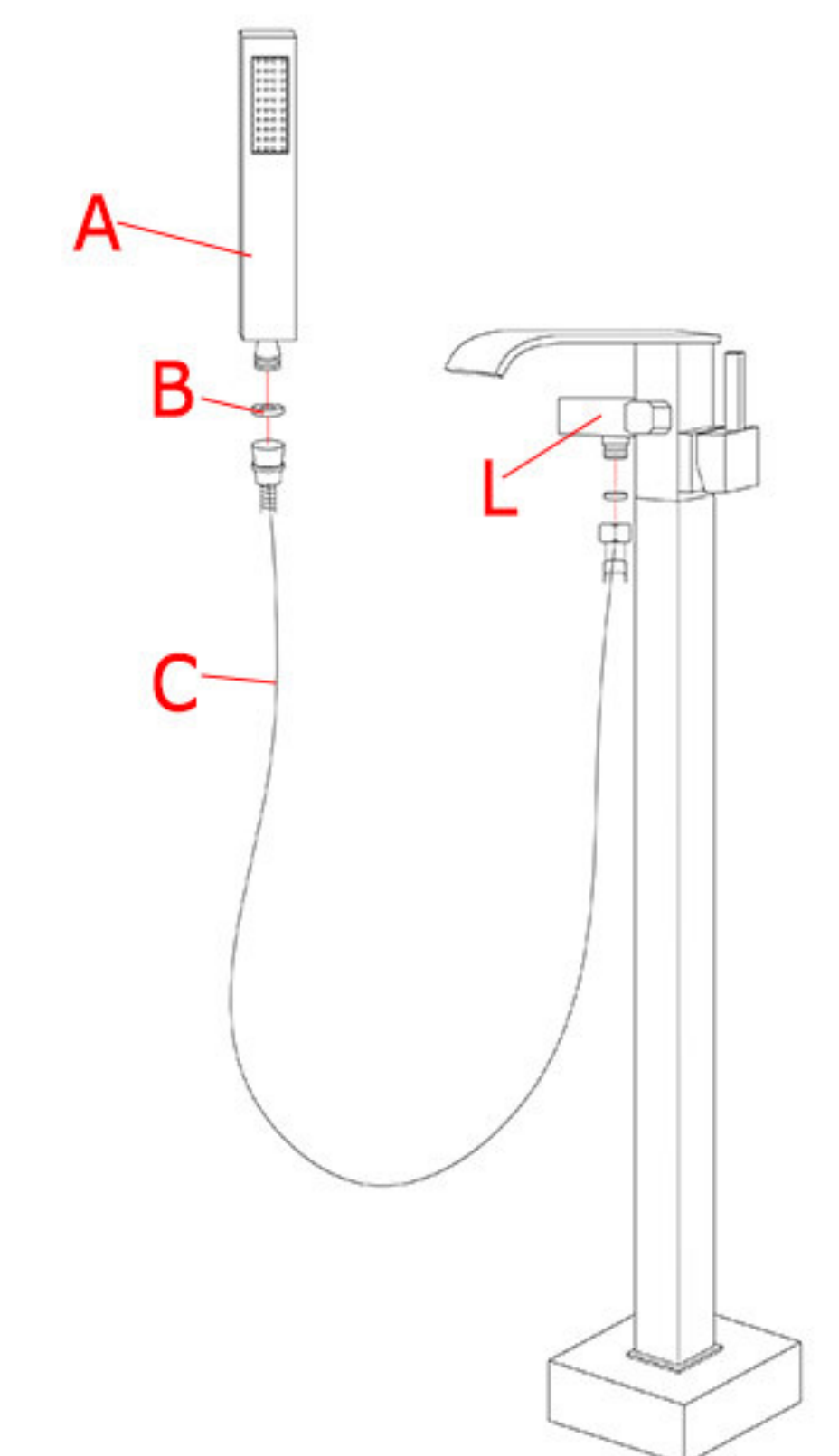
6. Screw waterlines (K) into the corrsponding screw holes of the faucet body (M). Then, screw up the stand pole (J) to the faucet body (M) with set screws (P) and the Allen key (O).



7. Connect the waterlines (K) to the water supply in the floor.



8. Remove the washers (E) and screw nuts (D) from the expension screws. Fix the flange (H) to the floor with washers (E) and screw nuts (D). Push the flange cover (I) against the floor.



9. Add rubber washers (B) to both ends of the shower hose (C). Screw them on the hand shower (A) and hand shower holder (L). Place the hand shower on the holder.