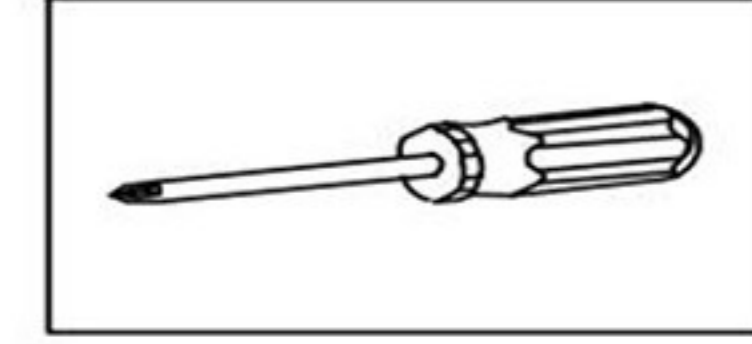
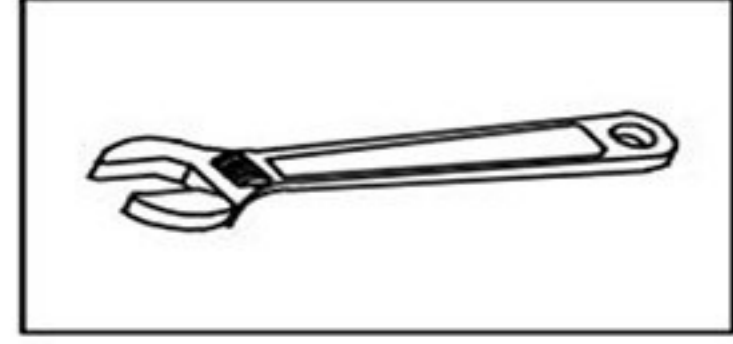


Floor Lamp Installation

Tools Required:

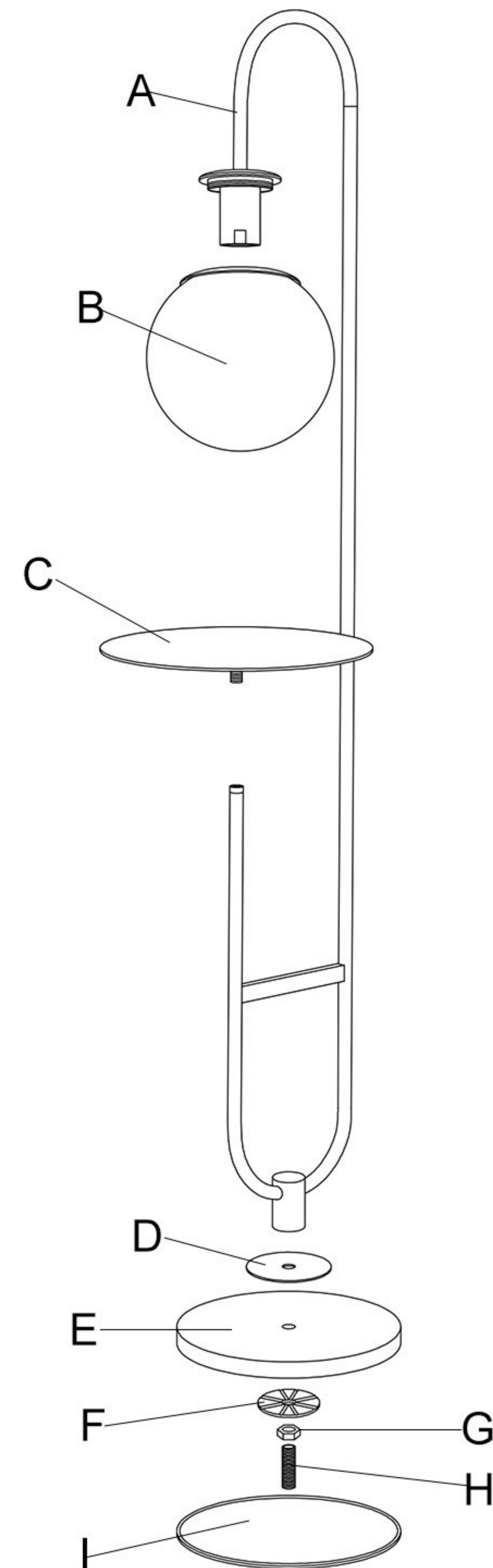


Adjustable Wrench Philips Screwdriver

Before Installation

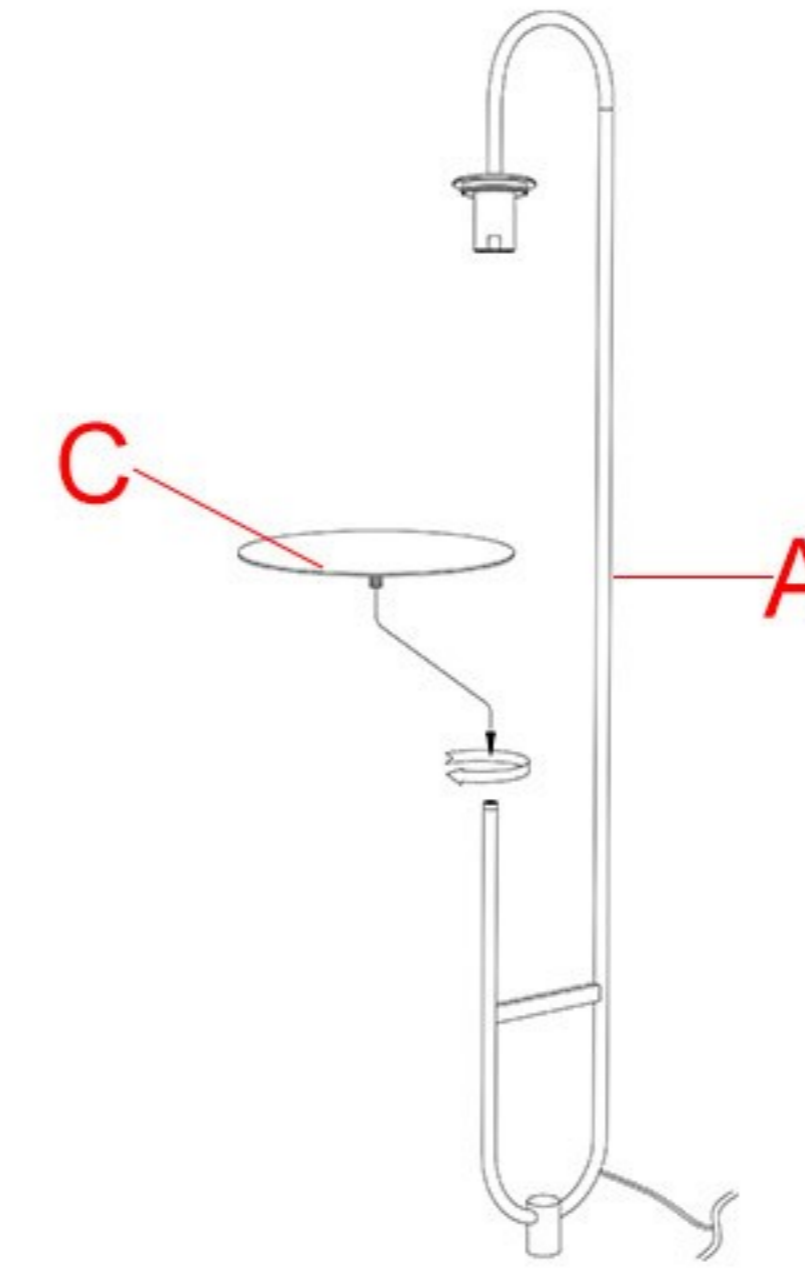
1. Please read these instructions before assembling or installing the product. **NOTE:** Installation by a licensed electrician is recommended.
2. Take out the fixture and the mounting package and make sure all parts are included. If any part is missing or damaged, please contact us.
3. All parts must be used as indicated in these instructions. Do not substitute any parts, leave parts out, or use any parts that are worn out or broken.
4. Do not disassemble the main body, as it has been installed & commissioned correctly & precisely before leaving the factory.
5. **IMPORTANT:** Turn off the main power at the circuit breaker and place the wall switch or pull chain in the "OFF" position.
6. Do not use bulbs with wattage greater than specified on this fixture.

Parts List

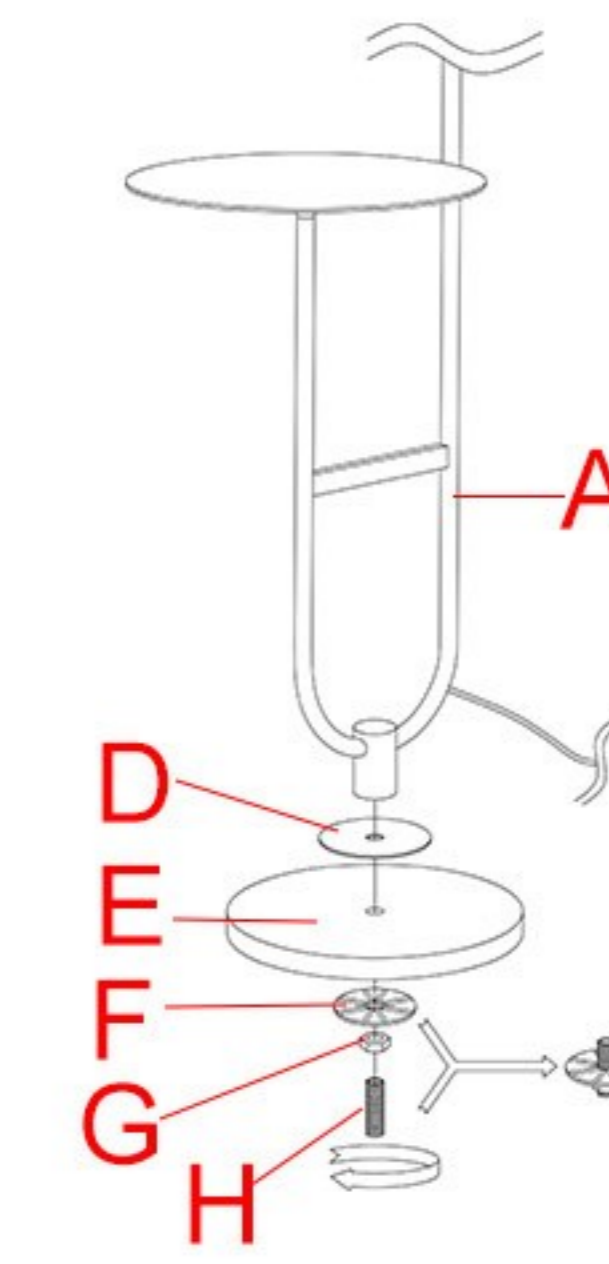


Part	Name	Quantity
A	lamp frame	1
B	light bulb	1
C	material-bearing plate	1
D	decoration washer	1
E	marble base	1
F	metal washer	1
G	screw nut	1
H	screw bolt	1
I	double-sided sticker	1

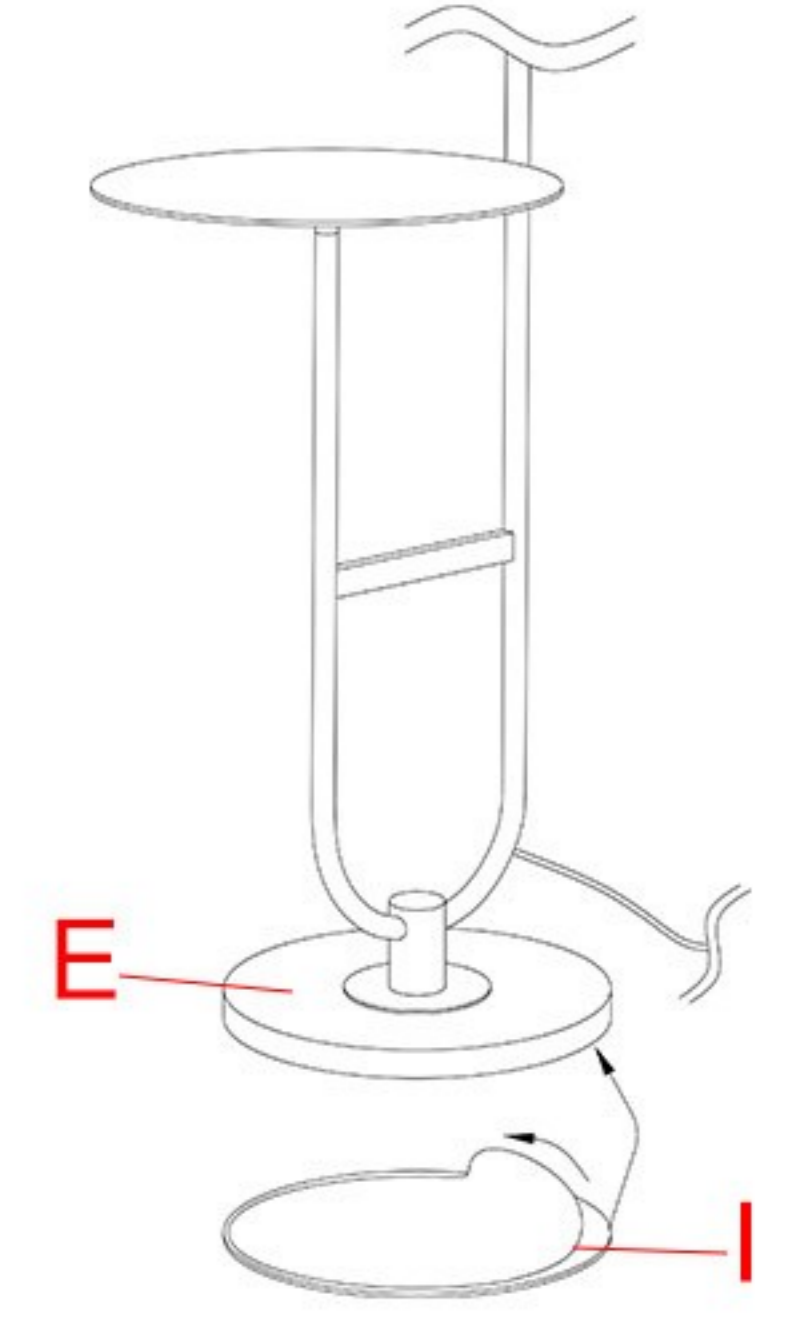
Installation Guide



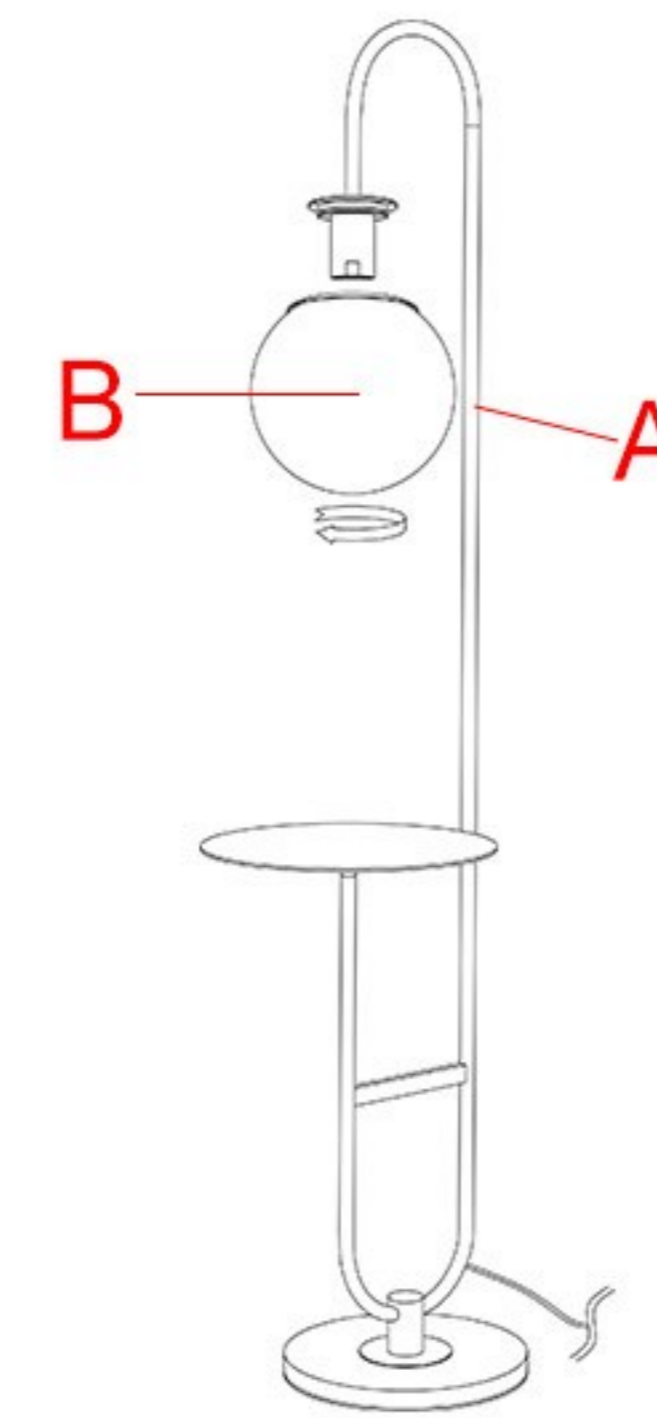
1. Screw up the material-bearing plate (C) to the lamp frame (A) as shown in the picture.



2. Remove the screw nut (G) from the screw bolt (H). Let the screw bolt (H) go through the metal washer (F), marble base (E) and decoration washer (D) to the base of the lamp frame (A) in turn, and then fix them by screwing the screw nut (G) to the bottom of the screw bolt (H).



3. Remove one side of the double-sided sticker (I) and affix the sticker to the floor. Remove the other side of the sticker and affix the marble base (E) to the sticker.



4. Install the light bulb (B) onto the lamp frame (A).

Troubleshooting

Problem	Possible Cause	Corrective Action
Fixture does not light.	<ol style="list-style-type: none"> 1. Fixture may be wired incorrectly. 2. Worn or broken bulb. 3. Lamp socket or LED transformer (if applicable) may go bad. 	<ol style="list-style-type: none"> 1. Check wiring. 2. Replace bulb. 3. Replace lamp socket or LED transformer (if applicable).
Light bulb flickers.	<ol style="list-style-type: none"> 1. Switch Contacts are bad. 2. Wire connections are loose. 3. Light bulb socket may go bad. 	<ol style="list-style-type: none"> 1. Replace the switch. 2. Check wire connections. 3. Replace the socket.