

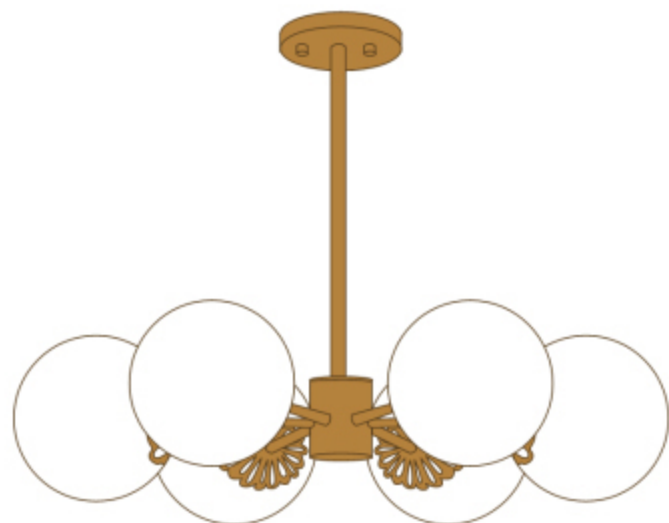
## INSTALLATION OF LIGHT-FIXTURE AND LIGHTS

Art.No.: JYJ1030

Voltage: 110V~240V

Size: Rod 25cm/ Bulb  $\phi$ 15cm

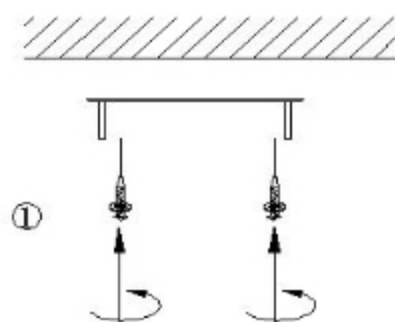
Lamp: G9\*6



### Tips

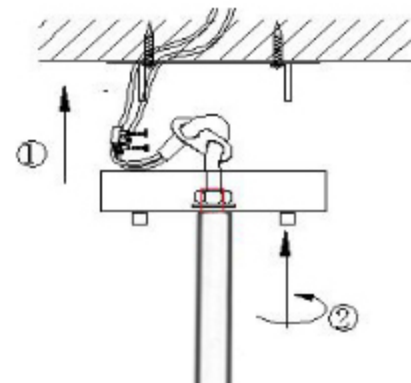
1. Rated voltage: 110V ~240V , 50Hz, light power:  $\leq$  40W
2. Please put on your gloves in order to avoid scratching the surface of the light bulb and electric wire during installation.
3. The red wire of the lamp shall be connected to the live wire. The other wires shall be connected to the null wires, but the wire marked "PE" shall be connected to the ground wire.
4. Do not install on the ceiling that cannot be dried. The environment should be dry and ventilated.
5. Lamps should not be near corrosive chemicals and gases, such as acid, alkali, etc. Do not clean them with water. You can only wipe them with a clean soft cloth.
6. It must be installed by a professional wireman.
7. Turn off the power before installing, cleaning and replacing the bulbs.

### Step 1



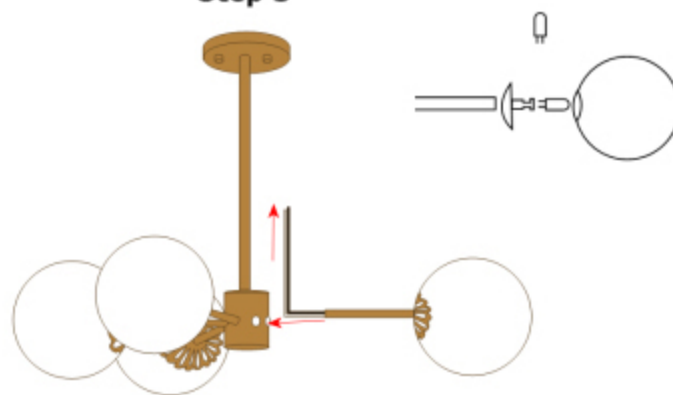
- ① Place the flat washer on the self-tapping screw. Pass the self-tapping screw through the holes on the mounting strap and tighten the screws clockwise (as shown in the picture).

### Step 2



- ① Connect the input wires and ensure that they are of insulation protection (as shown in the picture).picture).
- ② Fix the hanging lines to the lifting plate with screws (as shown in the picture).

### Step 3



- ① Install the light fixtures (as shown in the picture).

### Step 4



- ① Install the light bulbs.
- ② Install the light shades.